

1

2

3

4

5

6

A

A

B

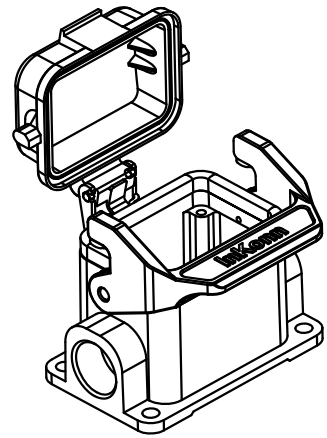
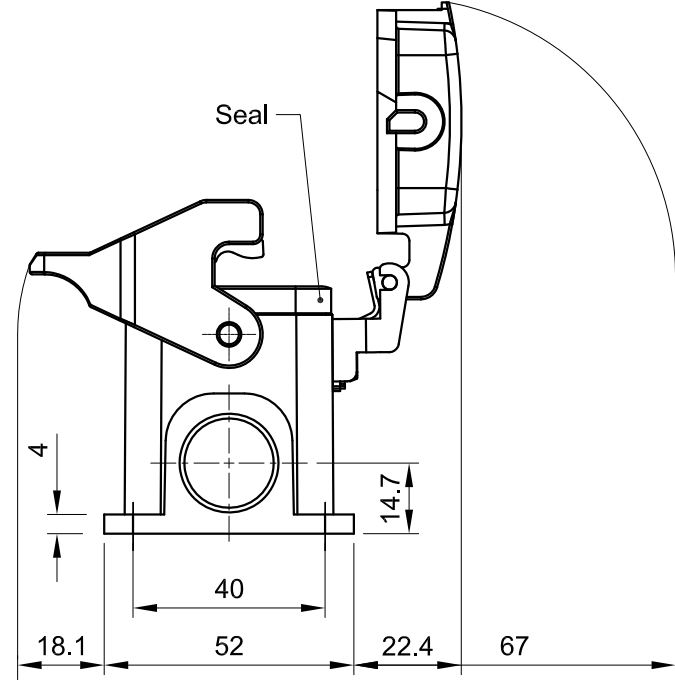
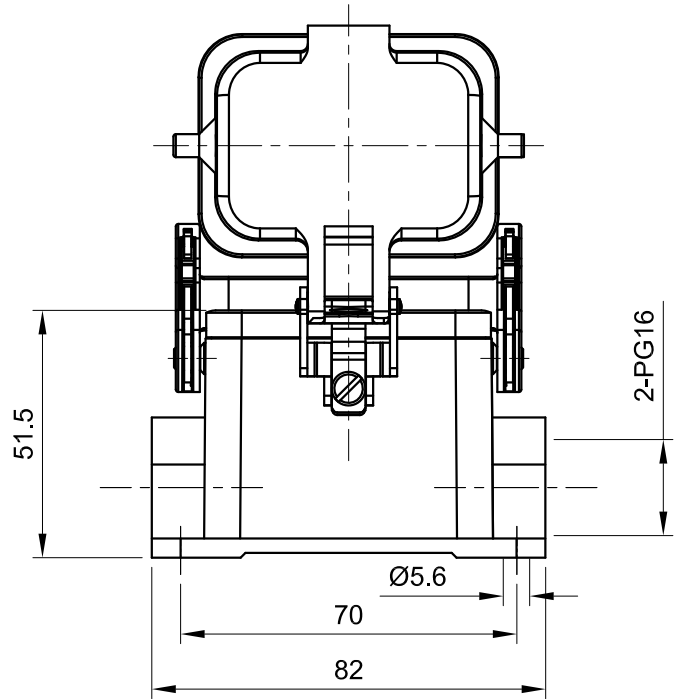
B


C

C

D

D



 InKonn (Suzhou) Electric Technology Co.,Ltd.	All Dimensions in mm Original Size DIN A4	Date 2019-12-1	Drawing No. TC8404063	Rev. A00	Scale 1:1.5
	Part No. 10 11 806 0651	Created by Shuxu Huang	Checked by Yiyi Luo	Page 1/1	
Type Name HB6-SM-PC-SL-2PG16					

1

2

3

4

5

6